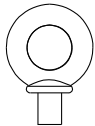


READ THOROUGHLY BEFORE INSTALLATION
⚠ CAUTION RISK OF ELECTRIC SHOCK

These instructions do not intend to cover all details or variations in the fitting or provide for every possible contingency to be met in connection with installation, operation, or maintenance. Should further information be required or should any issues arise, please contact ADUROLIGHT.

(Installation by a qualified electrician is recommended.)

Included Accessories

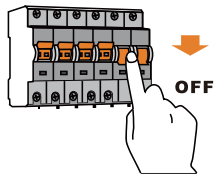


1
Suspension ring

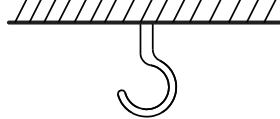


2
Waterproof protective cap

1. Switch off the power.



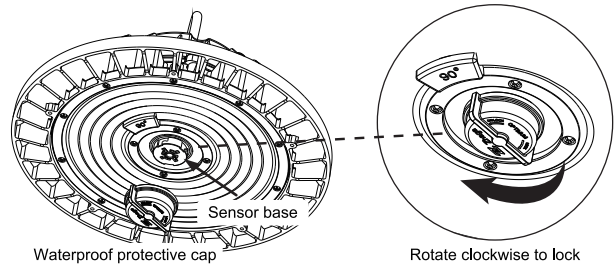
2. Install a metal hook in a sturdy ceiling.



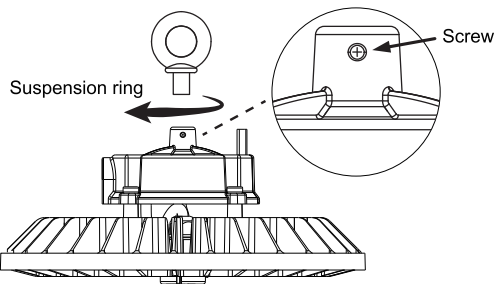
3. Insert the Waterproof protective cap into the sensor base slot.

Press down and rotate the cap clockwise until it is securely locked in place.

⚠ Warning:
The waterproof protective cap must be installed before use.

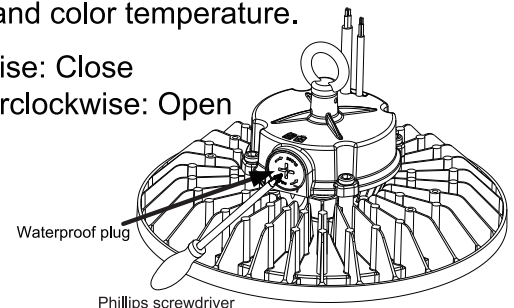


4. Screw the suspension ring clockwise until it is fully seated on the mounting base. Secure it by tightening the locking screws with a Phillips screwdriver.



5a. Using a Phillips screwdriver, turn the waterproof cap counterclockwise to open it. Inside, adjust the switches to set the required power and color temperature.

Clockwise: Close
Counterclockwise: Open



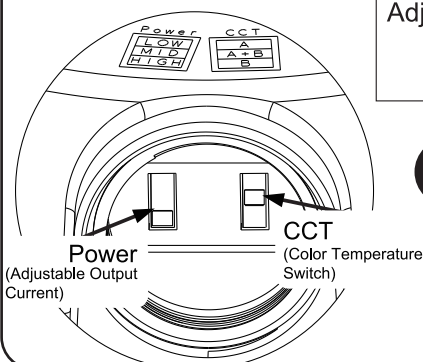
5b. There are two switches inside the cap.

The left switch is used to set the power level and can be adjusted to 80W, 120W, 150W (see Table A for the corresponding switch positions).

The right switch is used to set the color temperature and can be adjusted to 3000K, 4000K, 6500K (see Table B for the corresponding switch positions).

A

Adjustable Output Current	Adjust power via DIP switch according to the table below (± 5 W).					
	80W	LOW	120W	MID	150W	HIGH



B

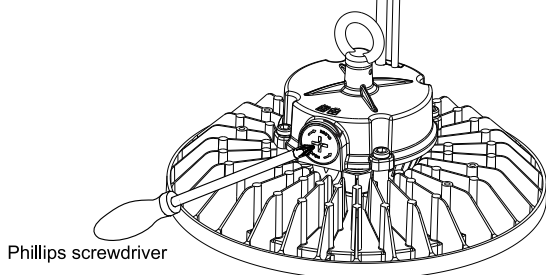
Color temperature settings table. (CCT)
Adjust the color temperature using the Color Temperature Switch (CCT) according to the table below. Default Setting: 4000K.

A	A+B	B
3000K	4000K	6500K

READ THOROUGHLY BEFORE INSTALLATION
⚠ CAUTION RISK OF ELECTRIC SHOCK

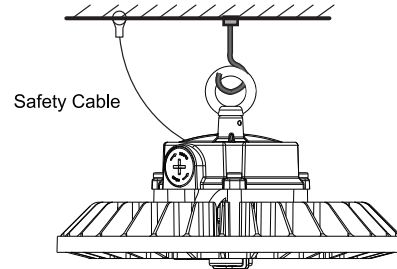
These instructions do not intend to cover all details or variations in the fitting or provide for every possible contingency to be met in connection with installation, operation, or maintenance. Should further information be required or should any issues arise, please contact ADUROLIGHT.

6. After setting the desired configuration, close the cap and tighten it clockwise to maintain the luminaire's IP rating.



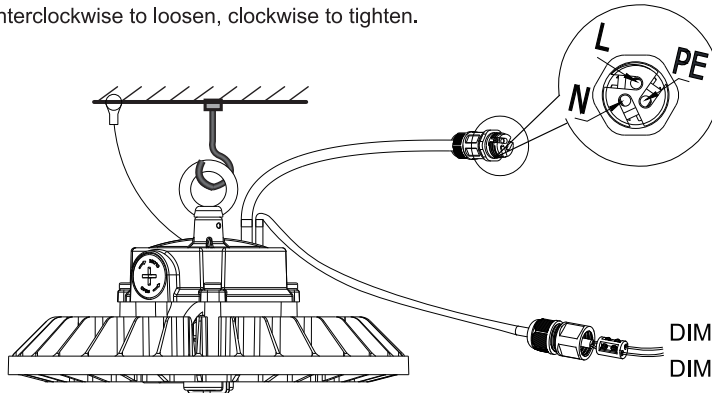
7. Suspend the luminaire from the ceiling hook and ensure it is properly secured in place.

Fix the safety cable to a secure, load-bearing point on the concrete slab or steel roof structure.



8. Two cables exit the luminaire. Connect the three-wire (L, N, Earth) to the main power. The two-wire cable is optional and used only when dimming is required.

Turn counterclockwise to loosen, clockwise to tighten.



AC INPUT

Input: 120-277V AC

Blue: AC-N Brown: AC-L

Yellow/Green: PE ⊕

Dimming Control Signal

Signal Types: 0-10 V, PWM (500-3000Hz), Resistor dimming (0-100 kΩ)

DIM+: Purple

DIM-: Pink

9. Installing an Optional Sensor

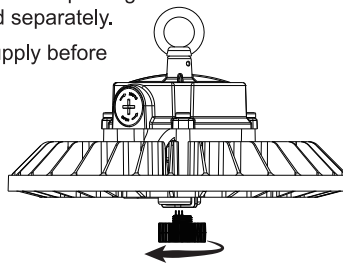
- Ensure the power supply is switched off before installation.
- Remove the Waterproof protective cap from the Zhaga connector located in the center of the fixture.
- Insert the sensor into the Zhaga connector.
- Turn the sensor clockwise until it is securely locked in place.

Note: The sensor is not included in the standard package. The Zhaga motion and light sensor is sold separately.

Warning: Always disconnect the power supply before installing or removing the sensor.



Clockwise: Install
 Counterclockwise: Remove



Optional Sensor (Not Included)

10. Turn on the power and verify that the luminaire operates correctly.

